

Paxton10 Single Door Controller

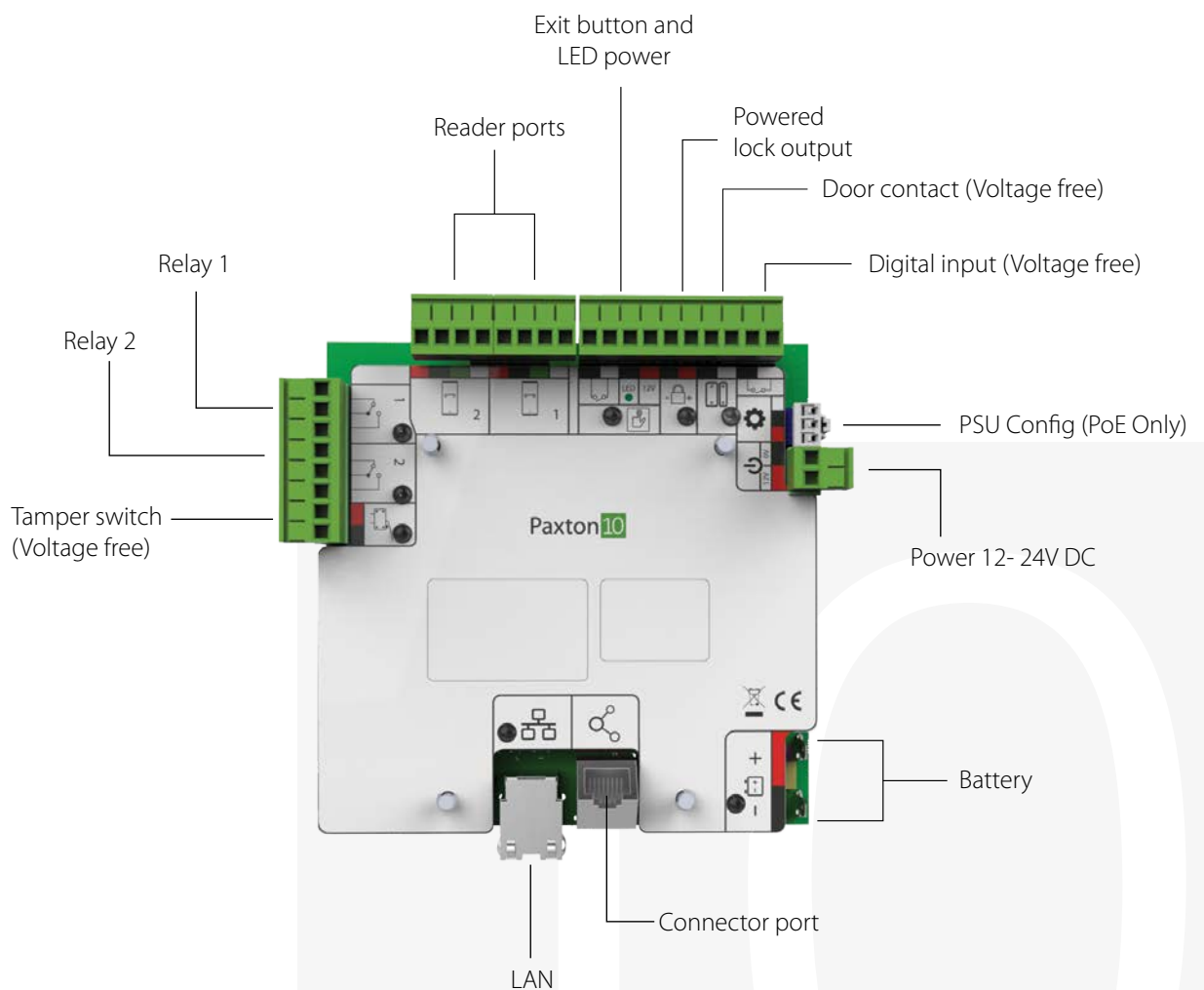
Overview

The Paxton10 Single Door Controller has been designed with simplicity in mind. Clearly labelled terminals result in hassle free installation for control and monitoring of a door.

Offering a flexible installation solution, with PSU options for powering either by 12VDC or PoE, and PCB only options for making use of an existing DC line.

Features

- Simple plug-and-play installation
- Locally stored programming enables the system to continue working if connection to the server is lost
- 5 year warranty
- Power Options: PoE+, 230V, 12V or 24V
- Backup battery connectors
- Powered lock output
- Plastic enclosure for Door Controller with PSU and for PCB only





Electrical

Power consumption	
While battery charging	Idle - 97mA / 5.08W Max - 108mA / 5.6W
While battery full	Idle - 48mA / 2.53W Max - 105mA/5.5W
Backup battery	12V DC, 7Ah (Optional)
Lock output	12V DC/1A or 24V DC/500mA
Relay rating	30V DC/ 2A
RS485 connector output	24V DC, 750mA max (Paxton connectors only)
RS485 reader output	12V DC, 1A max (Paxton readers only)
Controller input voltage	12 - 24V DC (suppression at 28V)
PoE Power Supply	INPUT: 36-57V DC, 25.5W (IEEE 802.3at Type 2) OUTPUT: 12.8V DC, 1.8A
2A Power Supply	INPUT: 100-240V AC, 50/60Hz, 1.2A OUTPUT: 13.8V DC, 2A



Communication

Data connection	IP
Network switch requirement	100Mbps



Hardware

Dimensions (W x H x D)	
PCB unit with PSU housing	236mm x 320mm x 80mm
PCB only housing	200mm x 200mm x 78mm
PCB (Including connectors)	127mm x 25mm x 141mm
PCB (Excluding connectors)	127mm x 25mm x 127mm
Cable type	Ethernet (RJ45)
Door contact input	Yes
Voltage free digital input	1
Exit button input	Push to make
Tamper input	Yes
Relays	2
Maximum number of readers/keypads per door	2
Warranty	Paxton 5 year



Environment

Operating temperature	0°C - 45°C
IP Rating	N/A
Mounting	Wall