

# Environ Four Way Roof Mount Fan Trays Grey White

Item Code: 542-044-GE

**excel**  
without compromise.



✕ Four fans per tray

✕ Supplied with UK and Schuko power leads

✕ Quick and easy to install

✕ Noise level 27-28db

✕ Choice of colours

✕ Airflow 78-84m3/hour per fan

## Product Overview

The four way fan fits into the roof section of the Environ CR, ER & SR Racks and consists of four 230V, 50Hz fans. The Fan trays are supplied with BS1363 (UK) and Schuko 3m IEC 60320 C13 power leads. The IEC 60320 C13 power leads allow for easy installation and may be replaced to suit the specific power connection.

## Product Specifications

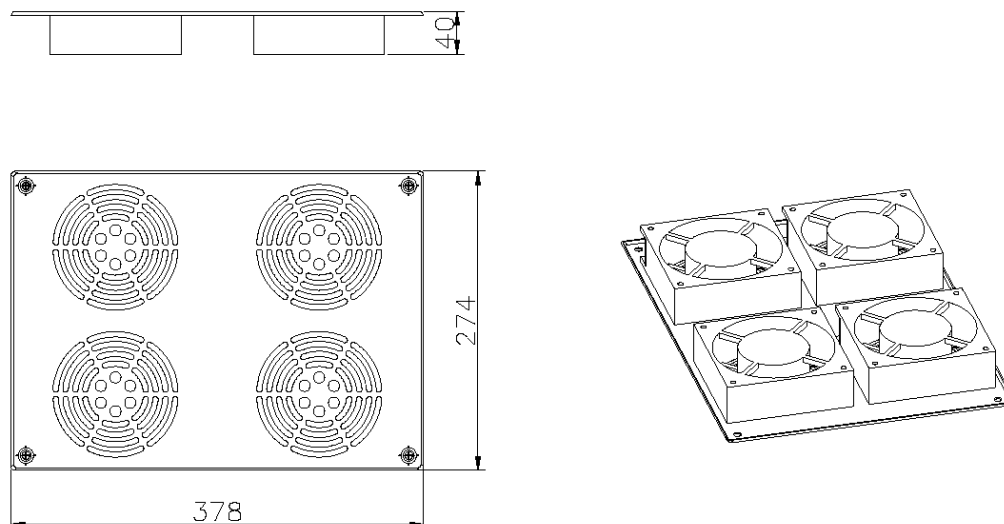
Feature	Values
Number of fans	4
Operating voltage at AC 50 Hz	230...230 V
Voltage type	AC
Roof mounted	Yes
Rated power	30 W
Mounting method	Screw mounting
Colour	Grey
RAL-number	9002
Width	378 mm
Depth	274 mm

# Environ Four Way Roof Mount Fan Trays Grey White

Item Code: 542-044-GE



## Product drawing



## Standards

Applicable standard	Detail
RoHS	Compliant to the Restriction of Hazardous Substances
WFD	Compliant to Waste Framework Directive
SCIP	Compliant - Does Not Contain Substances of Concern in Products

## Part Number Table

Part Number	Description
542-044-BK	Environ Four Way Roof Mount Fan Trays Black
542-044-GE	Environ Four Way Roof Mount Fan Trays Grey White

Excel is a world class premium performing end to end infrastructure solution designed, Manufactured, supported and delivered without compromise.

Contact us at [sales@excel-networking.com](mailto:sales@excel-networking.com)



E&OE. Excel is a registered trade name of Mayflex Holdings Ltd.