

Excel White Double Gang Bevelled Plate without Blanks

Item Code: 100-716

excel
without compromise.



✕ Available in flat/bevelled design

✕ Available in white/black

✕ Available in single/double gang

✕ Supplied with fixing screws

✕ Up to 2 modules/gang

✕ 25 Year system warranty

Product Overview

The Excel Faceplate Range suits the Excel Cat5e, 6 and 6A Modules and Keystone jacks including the toolless jacks, and brings style to any Excel installation.

Product Specifications

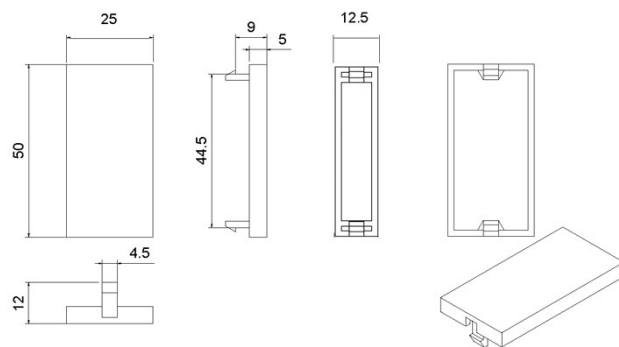
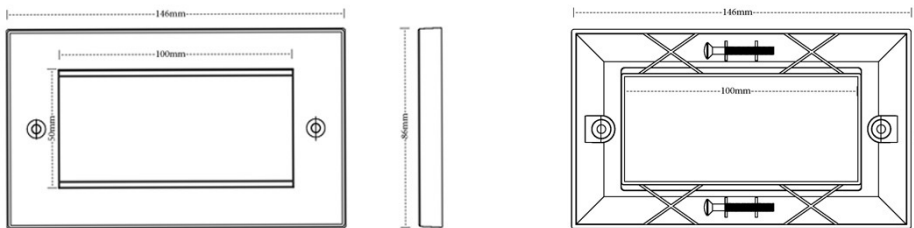
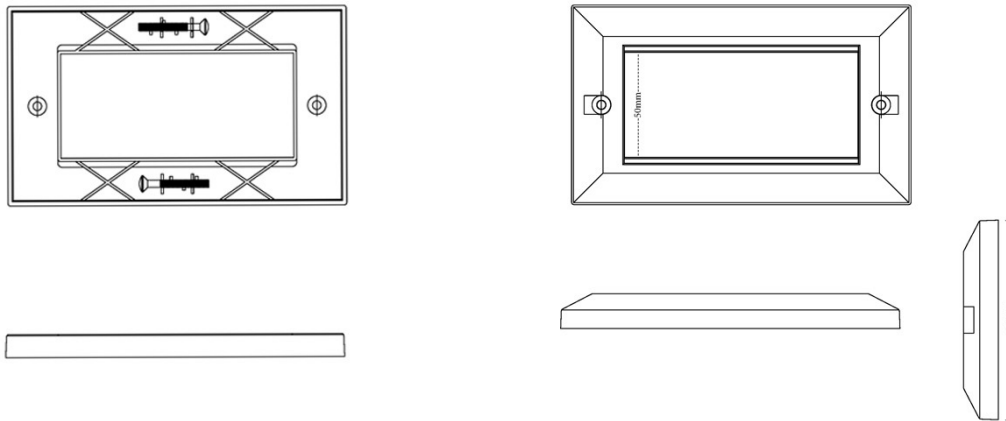
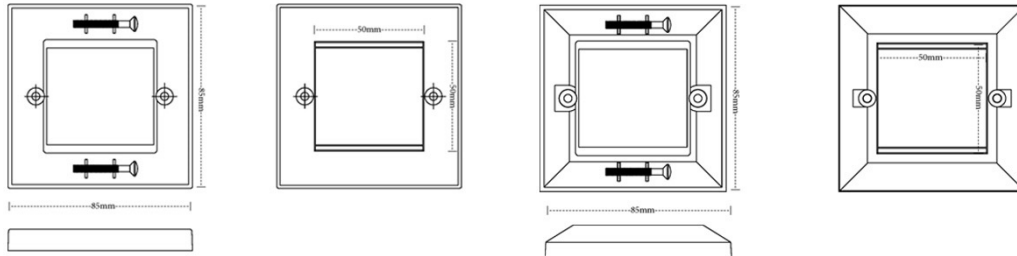
Feature	Values
Number of units	4
Flush-mounted installation	Yes
Suitable for floor box	Yes
Material	Thermoplastic
Colour	White
RAL-number (akin)	9016
Type of fastening	Screw mounting
Width	146 mm
Height	85 mm
Aperture width	100 mm
Aperture height	50 mm

Excel White Double Gang Bevelled Plate without Blanks

Item Code: 100-716



Product drawings



Excel White Double Gang Bevelled Plate without Blanks

Item Code: 100-716



Standards

Applicable standard	Detail
BS EN 60670-1:2005 + A1:2013	Boxes and enclosures for electrical accessories for household and similar fixed electrical installations general requirements
BS EN 61340-5-1:2007	Protection of electronic devices from electrostatic phenomena. General requirements apply to activities that: manufacture, process, assemble, install, package, label, service, test, inspect, transport or otherwise handle electrical or electronic parts, assemblies and equipment susceptible to damage by electrostatic discharges greater than or equal to 100 V human body model (HBM).
BS EN 60529:1992+A2:2013	Degrees of Protection provided by Enclosures (IP CODE)
RoHS	Compliant to the Restriction of Hazardous Substances
WFD	Compliant to Waste Framework Directive
SCIP	Compliant - Does Not Contain Substances of Concern in Products

Part Number Table

Part Number	Description
100-712	Excel White Single Gang Bevelled Plate without Blanks
100-714	Excel White Single Gang Flat Plate without Blanks
100-714-BK	Excel Black Single Gang Flat Plate Without Blanks
100-715	Excel White Half Width (12.5mm) Blank Plate
100-715-BK	Excel Black Half Width (12.5mm) Blank Plate
100-716	Excel White Double Gang Bevelled Plate without Blanks
100-718	Excel White Double Gang Flat Plate without Blanks
100-719	Excel White Full Width (25mm) Blank Plate
100-719-BK	Excel Black Full Width (25mm) Blank Plate

Excel is a world class premium performing end to end infrastructure solution designed, Manufactured, supported and delivered without compromise.

Contact us at sales@excel-networking.com



E&OE. Excel is a registered trade name of Mayflex Holdings Ltd.