

Excel White Single Gang Bevelled Plate without Blanks



Item Code: 100-712



✕ Available in flat/bevelled design

✕ Available in white/black

✕ Available in single/double gang

✕ Supplied with fixing screws

✕ Up to 2 modules/gang

✕ 25 Year system warranty

Product Overview

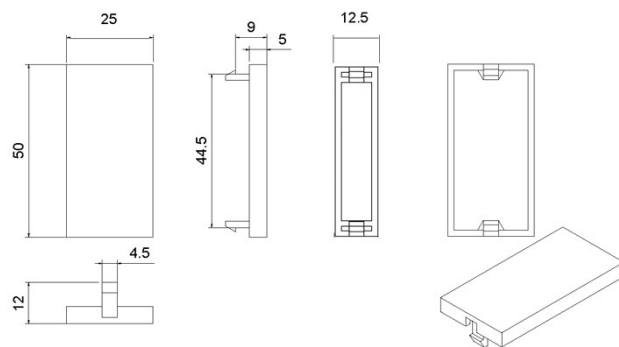
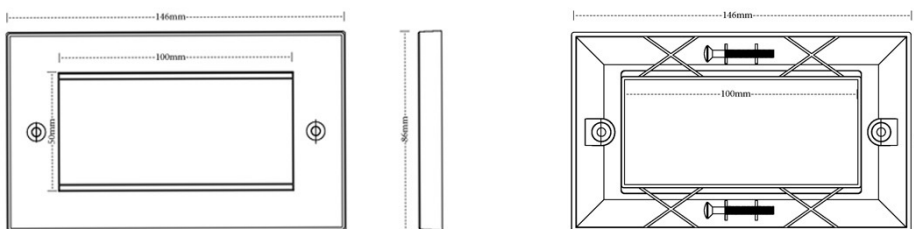
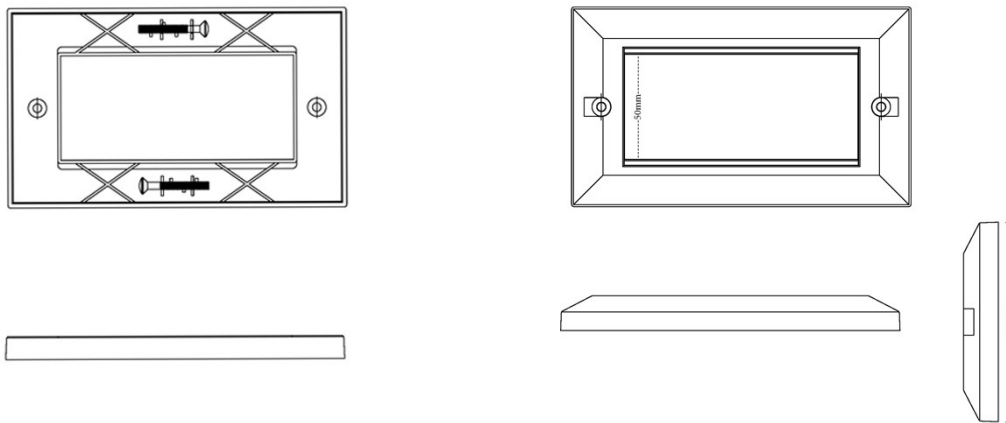
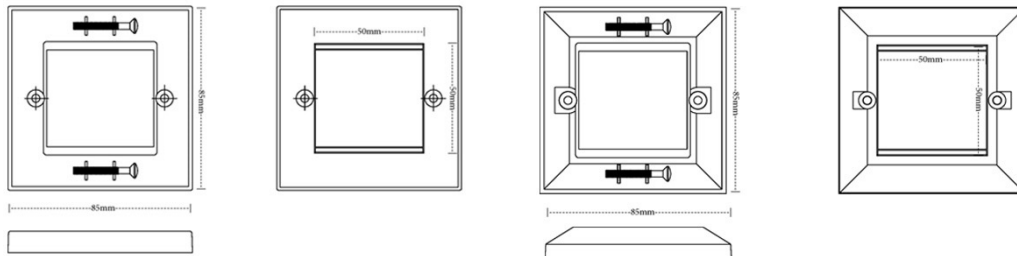
The Excel Faceplate Range suits the Excel Cat5e, 6 and 6A Modules and Keystone jacks including the toolless jacks, and brings style to any Excel installation.

Product Specifications

Feature	Values
Number of units	2
Flush-mounted installation	Yes
Suitable for floor box	Yes
Material	Thermoplastic
Colour	White
RAL-number (akin)	9016
Type of fastening	Screw mounting
Width	85 mm
Height	85 mm
Aperture width	50 mm
Aperture height	50 mm

Item Code: 100-712

Product drawings



Standards

Applicable standard	Detail
BS EN 60670-1:2005 + A1:2013	Boxes and enclosures for electrical accessories for household and similar fixed electrical installations general requirements
BS EN 61340-5-1:2007	Protection of electronic devices from electrostatic phenomena. General requirements apply to activities that: manufacture, process, assemble, install, package, label, service, test, inspect, transport or otherwise handle electrical or electronic parts, assemblies and equipment susceptible to damage by electrostatic discharges greater than or equal to 100 V human body model (HBM).
BS EN 60529:1992+A2:2013	Degrees of Protection provided by Enclosures (IP CODE)
RoHS	Compliant to the Restriction of Hazardous Substances
WFD	Compliant to Waste Framework Directive
SCIP	Compliant - Does Not Contain Substances of Concern in Products

Part Number Table

Part Number	Description
100-712	Excel White Single Gang Bevelled Plate without Blanks
100-714	Excel White Single Gang Flat Plate without Blanks
100-714-BK	Excel Black Single Gang Flat Plate Without Blanks
100-715	Excel White Half Width (12.5mm) Blank Plate
100-715-BK	Excel Black Half Width (12.5mm) Blank Plate
100-716	Excel White Double Gang Bevelled Plate without Blanks
100-718	Excel White Double Gang Flat Plate without Blanks
100-719	Excel White Full Width (25mm) Blank Plate
100-719-BK	Excel Black Full Width (25mm) Blank Plate

Excel is a world class premium performing end to end infrastructure solution designed, Manufactured, supported and delivered without compromise.

Contact us at sales@excel-networking.com